

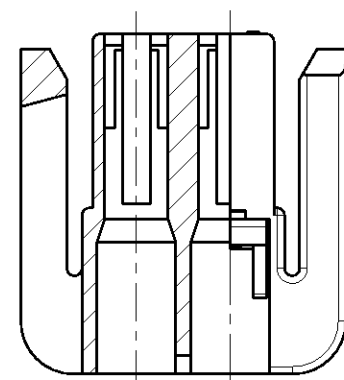
LOC  
A1

DIST  
-

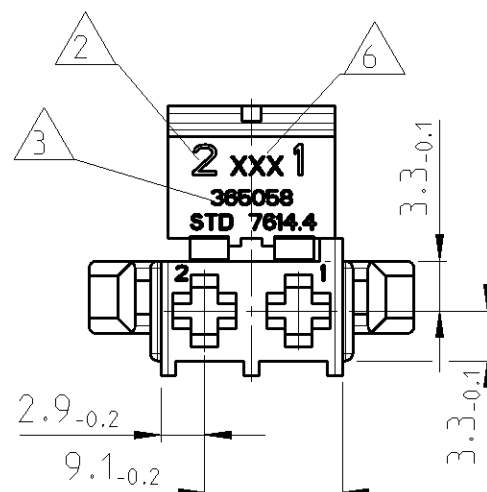
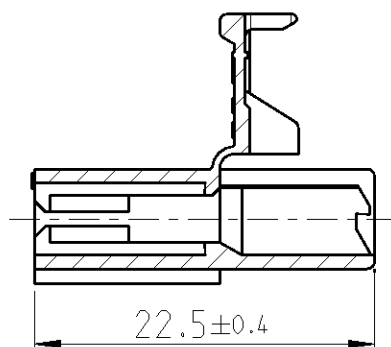
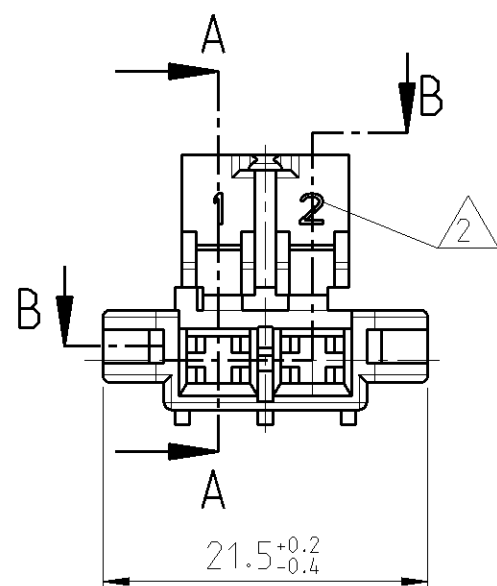
REVISIONS

| P | LTR | DESCRIPTION                   | DATE      | DWN | APVD   |
|---|-----|-------------------------------|-----------|-----|--------|
|   | D1  | TE Logo changed, Note 6 added | 30JAN2013 | Ho. | Schin. |

SECTION B-B  
Schnitt



SECTION A-A  
Schnitt



1 MATERIAL Y COLORES HAN DE ESTAR LIBRES DE CADMIO  
Material und Farbbatch muss cadium frei sein

2 CHARACTER HEIGHT 2  
Schrifthoehe 2

3 CHARACTER HEIGHT 1  
Schrifthoehe 2

4 FITTING WITH 365057  
Passend zu 365057

5 PARTS MUST BE AIR TIGHT PACKAGED, MOISTURE CONTENT MUST BE 2.5±1%  
Teile muessen luftdicht verpackt sein, die Feuchte muss 2.5±1% betragen

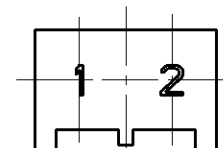
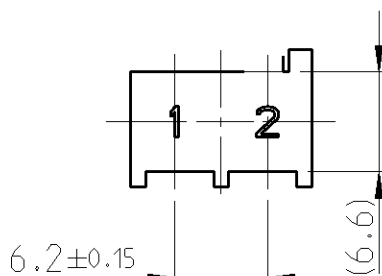
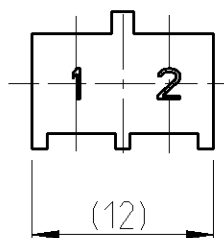
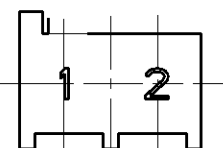
6 LOGO ACC. TO TE SPEC TEC-202-36;  
0.15 RAISED  
Firmenlogo entsprechend TE Spec TEC-202-36;  
0.15 erhaben

CODING 1  
Kodierung

CODING 2  
Kodierung

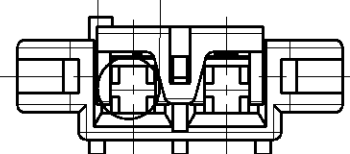
CODING 3  
Kodierung

CODING 4  
Kodierung



| Code No. | PART NO  | MATERIAL | COLOUR |
|----------|----------|----------|--------|
| CODE 4   | 365058-4 | PA 6.6   | YELLOW |
| CODE 3   | 365058-3 | PA 6.6   | BLACK  |
| CODE 2   | 365058-2 | PA 6.6   | GREY   |
| CODE 1   | 365058-1 | PA 6.6   | NATUR  |

DIA. 4.2 INSULATION  
Isolierung



HOUSING WITH CLOSED FLAP  
Gehauese mit geschlossener Lasche

THIS DRAWING IS A CONTROLLED DOCUMENT.

| DIMENSIONS: | TOLERANCES UNLESS OTHERWISE SPECIFIED: |
|-------------|----------------------------------------|
| mm          |                                        |
|             | 0 PLC ±                                |
|             | 1 PLC ±                                |
|             | 2 PLC ± ±0.2                           |
|             | 3 PLC ±                                |
|             | 4 PLC ±                                |
|             | ANGLES ±°                              |
| MATERIAL    | FINISH -                               |

|                  |           |           |
|------------------|-----------|-----------|
| DWN              | R.ULLRICH | 15JAN1985 |
| CHK              | L.BATLLO  | 15JUN1993 |
| APVD             | J.PASCUAL | 15JUN1993 |
| PRODUCT SPEC     | -         |           |
| APPLICATION SPEC | -         |           |
| WEIGHT           | -         |           |

|                                                    |           |            |               |
|----------------------------------------------------|-----------|------------|---------------|
| TE Connectivity                                    |           |            |               |
| NAME<br>2 POS. HOUSING<br>FOR JUNIOR TIMER CONTACT |           |            |               |
| SIZE                                               | CAGE CODE | DRAWING NO | RESTRICTED TO |
| A3                                                 | 00779     | ©=365058   | -             |

Customer Drawing SCALE 2:1 SHEET 1 OF 1 REV D1